

Re-assembling Folded Glydea™ Track:

Included items:

Partly assembled Glydea™ rail track

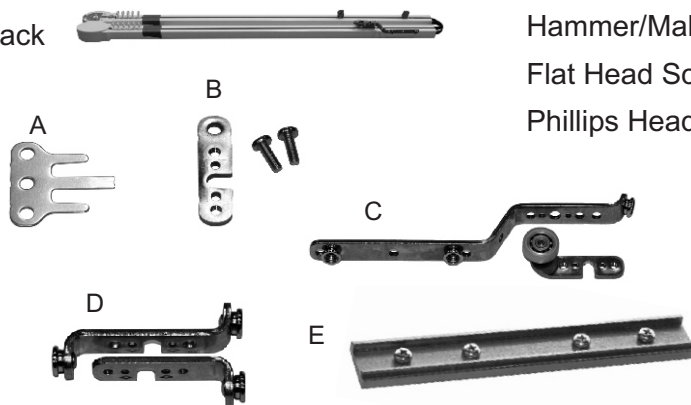
(A) Fixing plate

(B) Nut plate and screws

(C) Carrier arm

(D) Butt Master carrier arm (optional)

(E) Rail Splice (attached to rail)



Tools required for assembly:

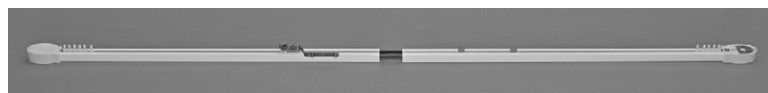
Hammer/Mallet

Flat Head Screwdriver

Phillips Head Screwdriver

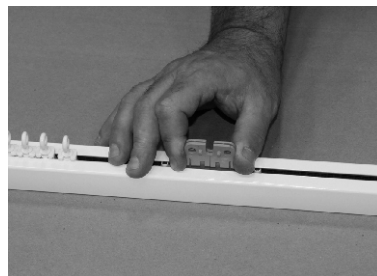
1. Carefully remove folded track from shipping box and place on a flat surface. Remove securing tape and unfold

1.



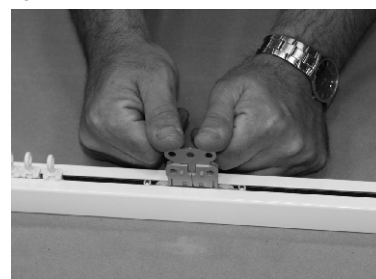
2. Slide the unassembled (separated) master carrier bodies together.

2.



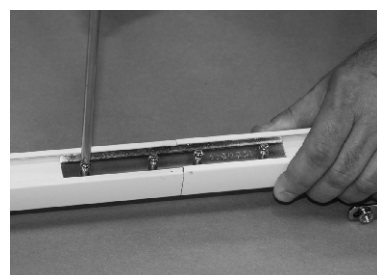
3. Insert the **Fixing Plate** (A) into the two master carrier bodies.

3.



4. Locate **Rail Splice** (E) which is installed on the top side of the track. Using a hammer and a flathead screwdriver, gently tap the **Rail Splice** positioning (centering) between the two joined rails and secure by tightening screws.

4.



5. Attach **Master Carrier Arm** (C) or optional **Butt Master Carrier Arm** (D) (as pictured) to the joined master carrier bodies using the **Nut Plate and Screws** (B).

5.

