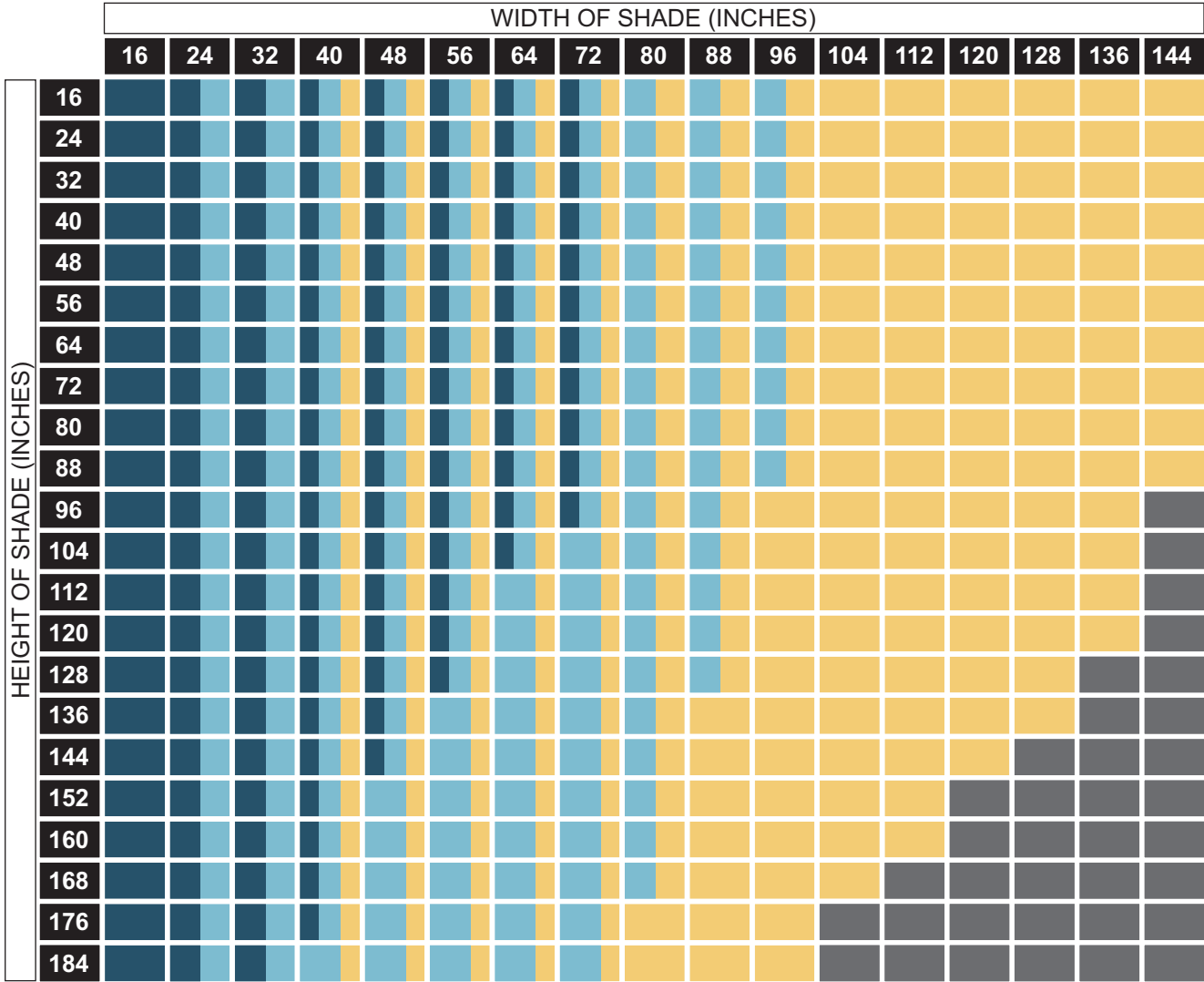









Motor Capacity Weight Chart for 5% Openness Roller/Solar Shades



ROLLER/SOLAR SHADES

WireFree™ LT30	→	Battery Powered or Plug-in	 
Sonesse™ 30	→	24V DC (Low Voltage) Plug-in or In-Wall Wired	 
Sonesse™ 50	→	120V AC Plug-in or In-Wall Wired	  
		Contact Somfy for application (dimensions) not denoted in chart above	

- WireFree LT30:** Calculations based on Rollease 1.5" roller tube & R8 Series Hardware min. finished width = (OB 12 7/8")
- Sonesse™ 30:** Calculations based on use of Acmeda 44mm roller tube min. finished width = (OB 18 5/8")
- Sonesse™ 50:** Calculations based on Rollease 2.5" roller tube min. finished width: (Wired motors = OB 32 1/2")
(RTS and ILT motors = OB 35 1/4")

Above chart calculations are based on use of sheer weave style 4000 5% openness (19.2 oz/sq yd.)
 The above chart is for reference only. Results may vary depending on solar screen application. If using roller tubes other than listed above, consult with your fabricator for shade size limitations.